



EMULATION TECHNOLOGY, INC.

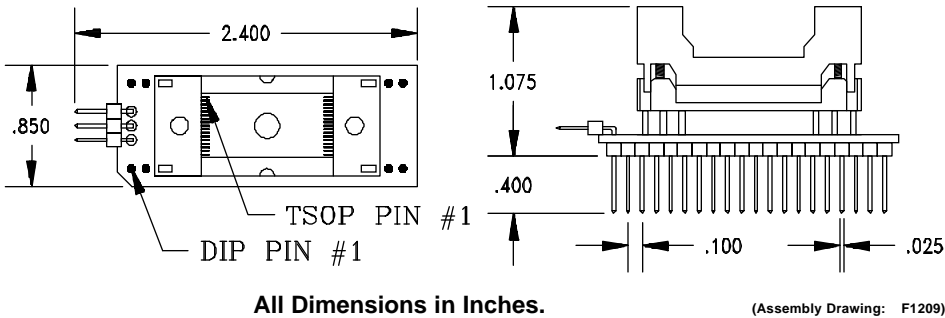
Specification Number: M1209

PROGRAMMING ADAPTER SPECIFICATION

Item: 404001TS600YAMS
Description: AS-40-40-01TS-6YAM-GANG-S (Rev. B)

REPLACEMENT SOCKET: S-TSO-00-040-A
Call Emulation Technology for a replacement socket price and delivery quote.

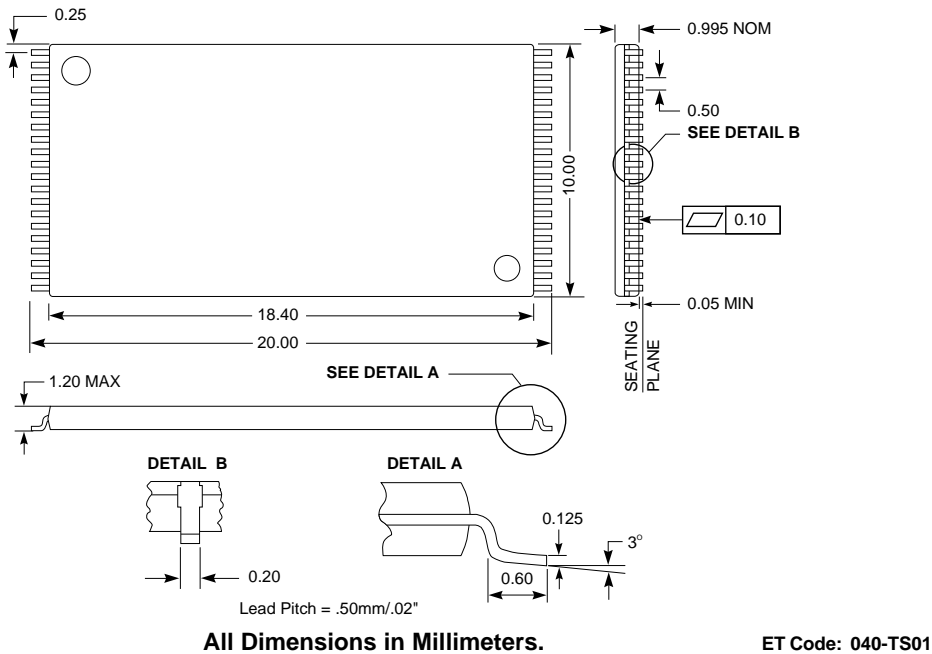
TYPICAL DIMENSIONS:



CONNECTION TABLE:

40-Lead TSOP SOCKET	PIN Names	40-Pin DIP Base
1	A19	8
2	A18	9
3	A17	10
4	A16	38
5	A15	37
6	A14	36
7	A13	35
8	A12	34
9	CE#	2
10	V _{CC} (Plane 3)	40
11	V _{PP}	1
12	RP# ¹	1 or 3
13	A11	33
14	A10	32
15	A9	31
16	A8	29
17	A7	28
18	A6	27
19	A5	26
20	A4	25
21	A3	24
22	A2	23
23	A1	22
24	A0	21
25	DQ0	19
26	DQ1	18
27	DQ2	17
28	DQ3	16
29	GND (Plane 5)	30
30	GND (Plane 2)	11
31	V _{CC} (Plane 4)	40
32	DQ4	15
33	DQ5	14
34	DQ6	13
35	DQ7	12
36	RY/BY#	4
37	OE#	20
38	WE#	39
39	NC/A21	6
40	NC/A20	7

PACKAGE SPECIFICATIONS:



Note: 1. TSOP pin 12 (RP#) ties to a center jumper post; it can be jumpered to DIP pin 1 (for V_{PP}) or DIP pin 3 (to be driven by programmer).

Compatible TSOP devices:
 E28F004SC E28F008SA-L
 E28F004S3 E28F008SC
 E28F004S5 E28F016S3
 E28F008S3 E28F016S5
 E28F008S5 E28F016SC
 E28F008SA

Manufacturer: Intel

Programmers:
Advantest: R4932
Aval Data: PKW-5100
B&C Microsystems: Proteus
BP Microsystems: BP-2100/1200(SM48D), BP-1148, EP-1140
Bytek: EZ-FT
Data I/O: ChipLab-48, UniSite(SetSite), 2700
E.E. Tools: AllMax, AllMax+, ProMax

Emulation Technology, Inc.: ET-PIC 4000/48, ET-PIC 1000/48
Elan: 4000/5000 TURBO, 3000/4000/5000
Logical Devices: XPRO, AllPro-88XR/88/40, Chipmaster 2000/6000, GangPro-SII
Needham's Electronics: EMP20
SMS: Sprint PLUS48/Optima/Expert/MultiSyte
System General: Multi-APRO, APRO, TURPRO-1/-1FX/-1TX, TURPRO-840



EMULATION TECHNOLOGY, INC.

2344 WALSH AVENUE • BUILDING F
 SANTA CLARA, CA 95051-1301
 TEL 408 / 982.0660 • FAX 408 / 982.0664

Call today for a FREE Full Line Catalog and Unlimited Application Consulting!